

REV.	DESCRIPTION	DATE	BY	CHK
2	UPDATED LABELS	4/3/19	BDC	RT
1	ADDED BOLTS 1032 & 1117, QTY. OF 1950 FROM 3 TO 1	2/11/13	BDC	RT
0	ISSUED FOR MANUFACTURING	1/10/12	BDC	RT

CONVEYOR TAG NO: 2390-CON-001

RATED LINE PULL 1ST LAYER: 66,922 LBS
 RATED LINE PULL 2ND LAYER: 58,451 LBS
 DRUM SPEED: 1.59 RPM
 LINE SPEED 1ST LAYER: 7.18 FT/MIN
 LINE SPEED 2ND LAYER: 8.22 FT/MIN
 MOTOR POWER: 15 HP
 WIRE ROPE CAPACITY 1ST LAYER: 54.20 FEET MAX
 WIRE ROPE CAPACITY 2ND LAYER: 56.90 FEET MAX
 # OF DEAD WRAPS REQUIRED: 5

UNLESS OTHERWISE SPECIFIED ALL DIMENSIONS ARE IN INCHES AND ALL TOLERANCES ARE AS FOLLOWS:

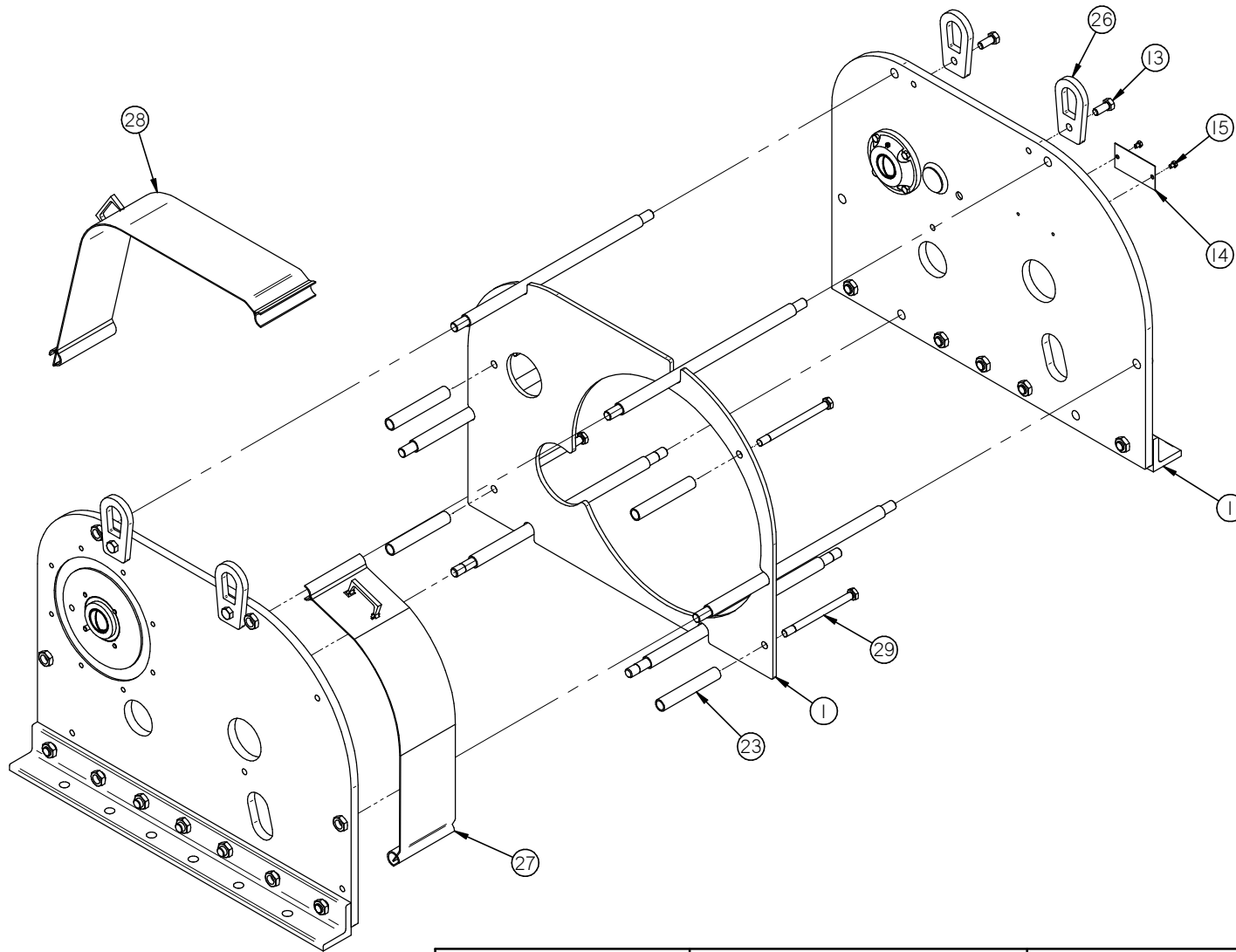
X = ±1
 XX = ±01
 XXX = ±005
 ANGULAR = ±5°

PROPRIETARY AND CONFIDENTIAL
THIS DOCUMENT CONTAINS THE PROPRIETARY AND CONFIDENTIAL INFORMATION OF WILSON PATTERSON, INC. REPRODUCTION OR DISCLOSURE TO OTHERS IN WHOLE OR PART FOR ANY PURPOSE WITHOUT THE EXPRESS WRITTEN PERMISSION OF WILSON PATTERSON, INC.



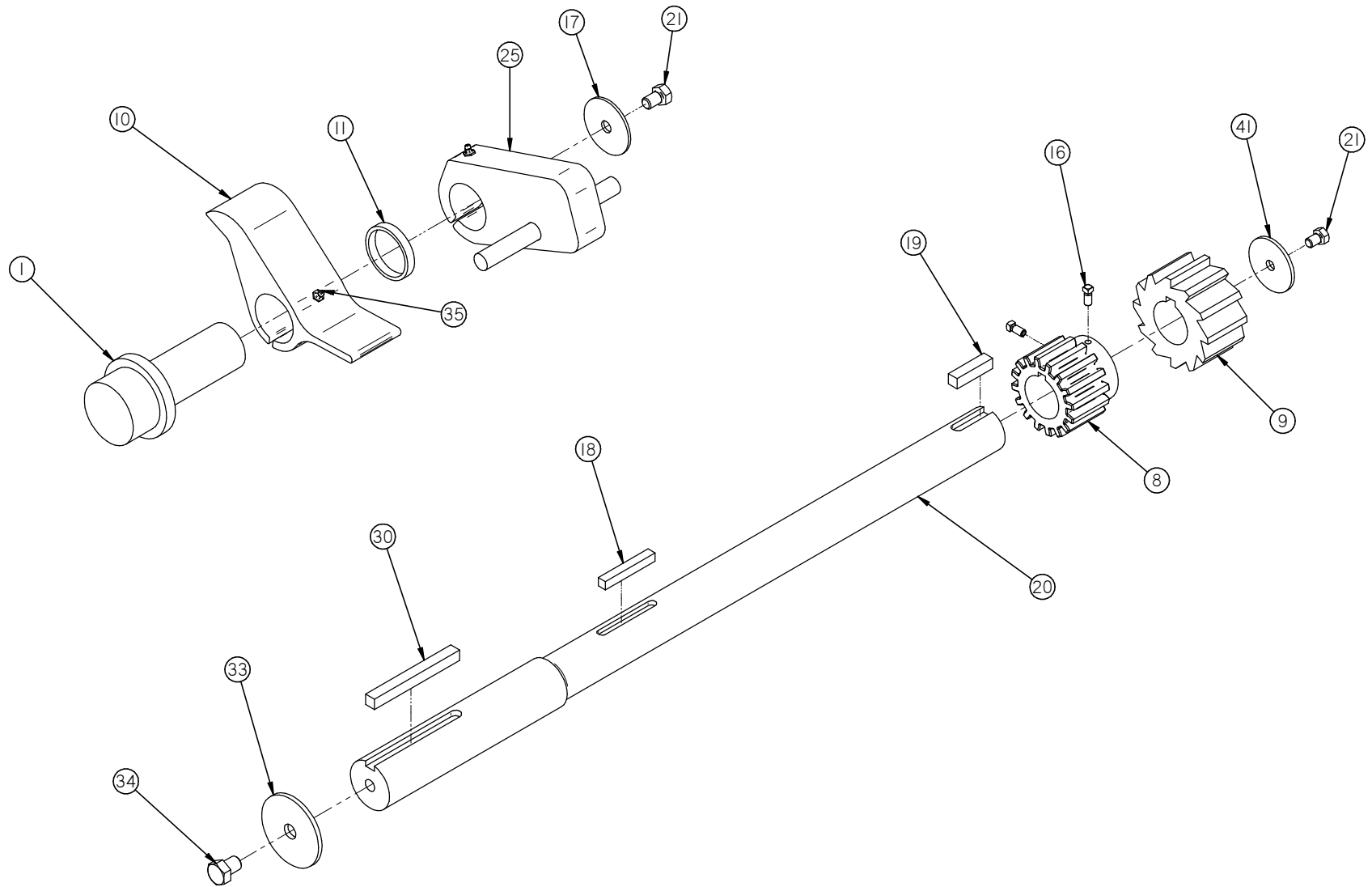
APPD: RT DATE: 1/10/2012	DESCRIPTION: WVP90E-15-15-LP-480-RH	SCALE: 1:10	REV: 2
CHKD: RT DATE: 1/10/2012	PART NO: A0001156		
DWN: BDC DATE: 1/10/2012	MATERIAL: SEE BILL OF MATERIAL		

NOTES:



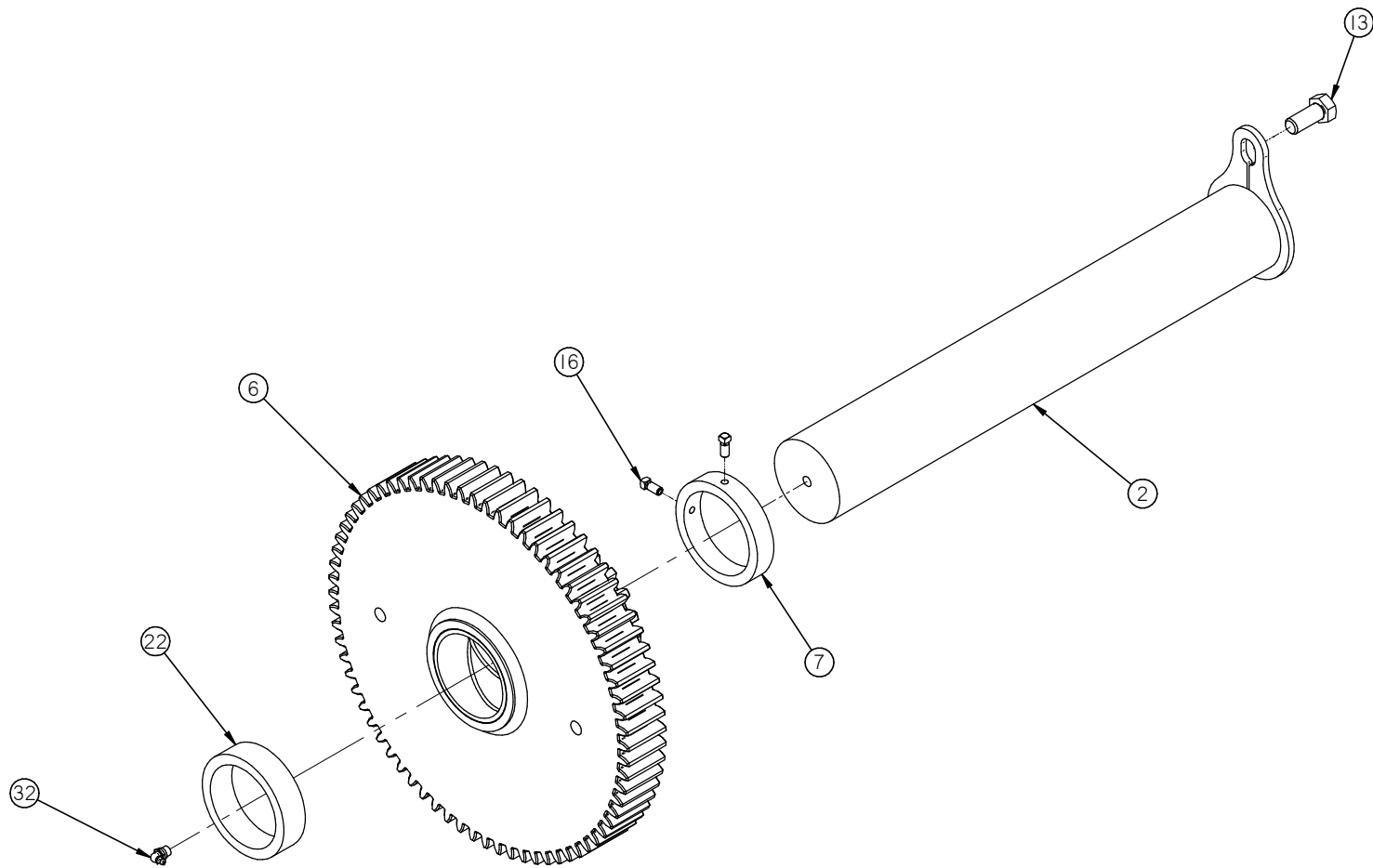
NOTES:

<p>PROPRIETARY AND CONFIDENTIAL</p> <p>THIS DOCUMENT CONTAINS W.W. PATTERSON, INC. PROPRIETARY AND CONFIDENTIAL INFORMATION AND SUCH INFORMATION MAY NOT BE USED, DUPLICATED, COPIED, REPRODUCED, OR DISCLOSED TO OTHERS IN WHOLE OR PART FOR ANY PURPOSE WITHOUT THE EXPRESS WRITTEN PERMISSION OF W.W. PATTERSON, INC.</p>		<p>DESCRIPTION: WWP90E-15-15-LP-480-RH</p> <p>PART NO A0001156</p>	<p>SCALE: 1 : 11.11</p> <p>SHEET: 3 OF 8</p> <p>REV: 2</p>
---	---	---	---



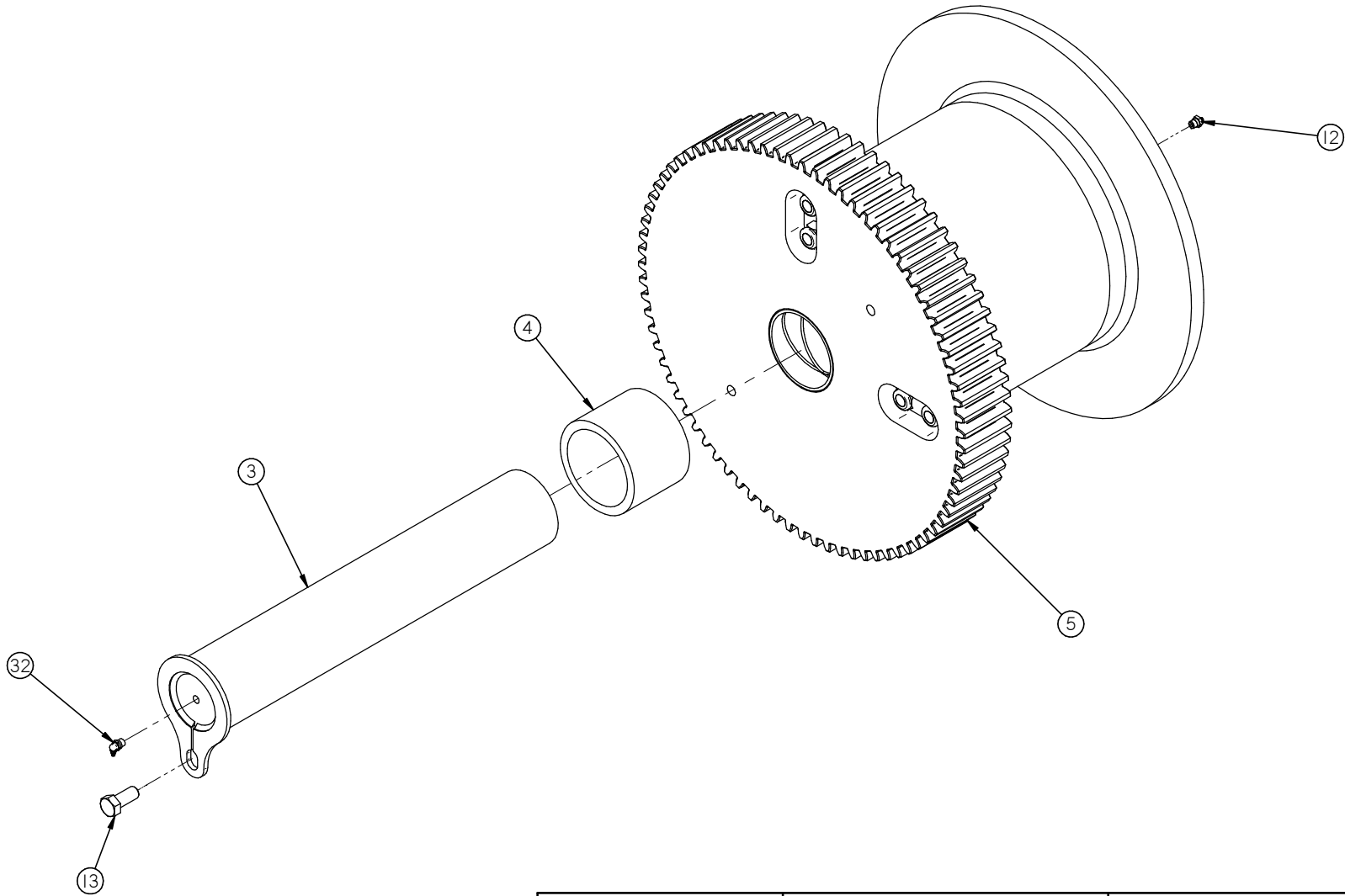
NOTES:

<p>PROPRIETARY AND CONFIDENTIAL</p> <p>THIS DOCUMENT CONTAINS W.W. PATTERSON, INC. PROPRIETARY AND CONFIDENTIAL INFORMATION AND SUCH INFORMATION MAY NOT BE USED, DUPLICATED, COPIED, REPRODUCED, OR DISCLOSED TO OTHERS IN WHOLE OR PART FOR ANY PURPOSE WITHOUT THE EXPRESS WRITTEN PERMISSION OF W.W. PATTERSON, INC.</p>		<p>DESCRIPTION: WWP90E-15-15-LP-480-RH</p> <p>PART NO A0001156</p>	<table border="1"> <tr> <td data-bbox="1816 1312 1974 1412">SCALE: 1 : 4</td> <td data-bbox="1974 1312 2026 1412">REV: 2</td> </tr> <tr> <td colspan="2" data-bbox="1816 1412 2026 1446">SHEET: 4 OF 8</td> </tr> </table>	SCALE: 1 : 4	REV: 2	SHEET: 4 OF 8	
SCALE: 1 : 4	REV: 2						
SHEET: 4 OF 8							



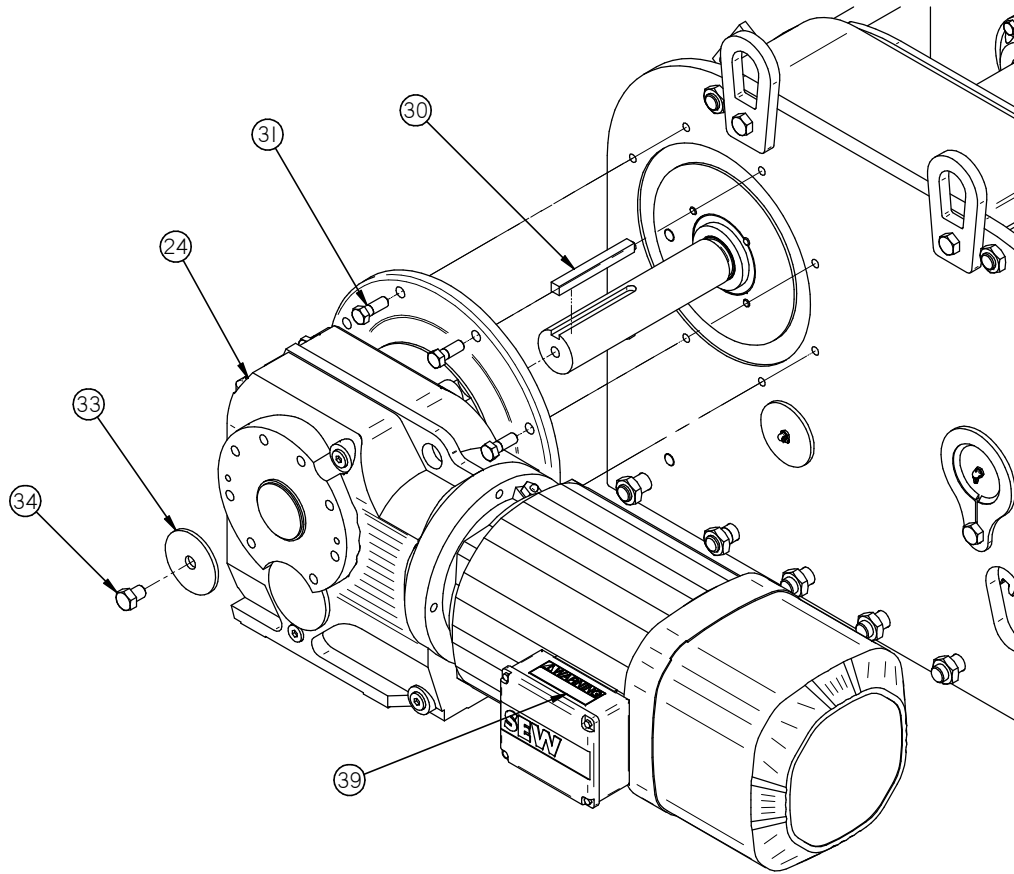
NOTES:

<p>PROPRIETARY AND CONFIDENTIAL</p> <p>THIS DOCUMENT CONTAINS W.W. PATTERSON, INC. PROPRIETARY AND CONFIDENTIAL INFORMATION AND SUCH INFORMATION MAY NOT BE USED, DUPLICATED, COPIED, REPRODUCED, OR DISCLOSED TO OTHERS IN WHOLE OR PART FOR ANY PURPOSE WITHOUT THE EXPRESS WRITTEN PERMISSION OF W.W. PATTERSON, INC.</p>		<p>DESCRIPTION: WWP90E-15-15-LP-480-RH</p> <p>PART NO A0001156</p>	<p>SCALE: 1 : 4</p> <p>SHEET: 5 OF 8</p> <p>REV: 2</p>
---	---	---	---



NOTES:

<p><u>PROPRIETARY AND CONFIDENTIAL</u></p> <p><small>THIS DOCUMENT CONTAINS W.W. PATTERSON, INC. PROPRIETARY AND CONFIDENTIAL INFORMATION AND SUCH INFORMATION MAY NOT BE USED, DUPLICATED, COPIED, REPRODUCED, OR DISCLOSED TO OTHERS IN WHOLE OR PART FOR ANY PURPOSE WITHOUT THE EXPRESS WRITTEN PERMISSION OF W.W. PATTERSON, INC.</small></p>		<p>DESCRIPTION: WWP90E-15-15-LP-480-RH</p> <p>PART NO A0001156</p>	<p>SCALE: 1 : 5.33</p> <p>SHEET: 6 OF 8</p> <p>REV: 2</p>
--	---	---	--



NOTES:

<p>PROPRIETARY AND CONFIDENTIAL</p> <p><small>THIS DOCUMENT CONTAINS WW PATTERSON, INC. PROPRIETARY AND CONFIDENTIAL INFORMATION AND SUCH INFORMATION MAY NOT BE USED, DUPLICATED, COPIED, REPRODUCED, OR DISCLOSED TO OTHERS IN WHOLE OR PART FOR ANY PURPOSE WITHOUT THE EXPRESS WRITTEN PERMISSION OF WW PATTERSON, INC.</small></p>		<p>DESCRIPTION: WWP90E-15-15-LP-480-RH</p> <p>PART NO A0001156</p>	<p>SCALE: 1 : 5.33</p> <p>SHEET: 7 OF 8</p> <p>REV: 2</p>
--	---	---	--

ITEM	QTY.	PART#	DESCRIPTION	ITEM	QTY.	PART#	DESCRIPTION
1	1	6303-E	FRAME WWP90E-15-15-LP	22	1	6333-A	SPACER NO 2 SHAFT 75 TON LP
2	1	6317-E	NO 2 SHAFT COMP WWP90E-15-15-LP	23	4	5073-LP	GEARGUARD SEPARATOR 75 TON LOW PROFILE
3	1	6318-E	NO 2 SHAFT COMP WWP90E-15-15-LP	24	1	BI20037	GEARMOTOR, SEW, 15HP 230/460V RH FM
4	1	6309-LP	DRUM SPACER 75 TON LOW PROFILE	25	1	6045-A	COUNTERWEIGHT COMP 90 TON LP
5	1	6326-E	ROPE DRUM COMP WWP90E-15-15-LP	26	4	6008	LIFTING EYE, 40-90 TON
6	1	6353-B	COMBO GEAR 90 TON E & M HARD	27	1	6320-C	GEAR SHROUD COMP 90 TON LP (FRONT)
7	1	6333	RETAINER, NO 2 SHAFT, 75/90E	28	1	6320-C	GEAR SHROUD COMP 90 TON LP (REAR)
8	1	6307-B	PINION GEAR NO 1 HARD 75/90 TON 50 BS	29	4	5073-E	BOLT, GEAR GUARD SEPARATOR 75T LP
9	1	6331-A	RATCHET GEAR 90 TON E	30	1	KEY030	KEY, 5/8 X 5/8 X 6 LG 4140 HT
10	1	6330-A	LOCKING PAWL, 90E	31	8	AI0095	BOLT, HEX 5/8-11 X 1-3/4 LG, G8, ZPY
11	1	5009	SPACER, PAWL & COUNTERWEIGHT	32	2	1563	FITTING, GRS, 67-1/2 DEG, 1/4 NPT
12	1	1132	FITTING, GRS, STRAIGHT, 1/4 NPT	33	1	6372-A	WASHER NO 1 SHAFT TERRA NOVA
13	6	1033	BOLT, HEX, 3/4-10 X 1-3/4 LG G5 ZP	34	1	1032	BOLT, HEX, 3/4-10 X 1" LG, G5, ZP
14	1	1376	TAG, NAME ELECTRIC WINCH	35	1	1133	FITTING, GRS, STRAIGHT, 1/8 NPT
15	2	1678	BOLT, HEX, 3/8-16 X 1/2 LG, SS	36	1	LABEL018	LABEL, WARNING, MOVING PARTS
16	4	1007	SCREW, SET SQHCP, 3/8-16 X 3/4 LG, ZP	37	1	LABEL017	LABEL, WARNING, OPERATIONS MANUAL
17	1	1197	WASHER, 2-1/2 OD, 1/2 ID, 1/8 THK	38	1	LABEL020	LABEL, NOTICE, MOTOR STALL
18	1	KEY031	1/2 X 1/2 X 3 1/2 LG. HT 4140 KEY	39	1	LABEL019	LABEL, WARNING, ELECTRIC SHOCK HAZARD
19	1	KEY032	5/8 X 5/8 X 2 1/2 LG. HT 4140 KEY	40	1	C000858	LABEL, LOGO - SIDE PLATE
20	1	6316-E	NO 1 SHAFT WWP90E-15-15-LP	41	1	6372-B	WASHER, NO 1 SHAFT, 75/90E
21	2	1950	BOLT, HEX, 1/2-13 X 3/4 LG, G5, ZP				

NOTES:

<small>PROPRIETARY AND CONFIDENTIAL</small> <small>THIS DOCUMENT CONTAINS W.W. PATTERSON, INC. PROPRIETARY AND CONFIDENTIAL INFORMATION AND SUCH INFORMATION MAY NOT BE USED, DUPLICATED, COPIED, REPRODUCED, OR DISCLOSED TO OTHERS IN WHOLE OR PART FOR ANY PURPOSE WITHOUT THE EXPRESS WRITTEN PERMISSION OF W.W. PATTERSON, INC.</small>		DESCRIPTION: WWP90E-15-15-LP-480-RH	SCALE: NTS	REV: 2
		PART NO A0001156	SHEET: 8 OF 8	