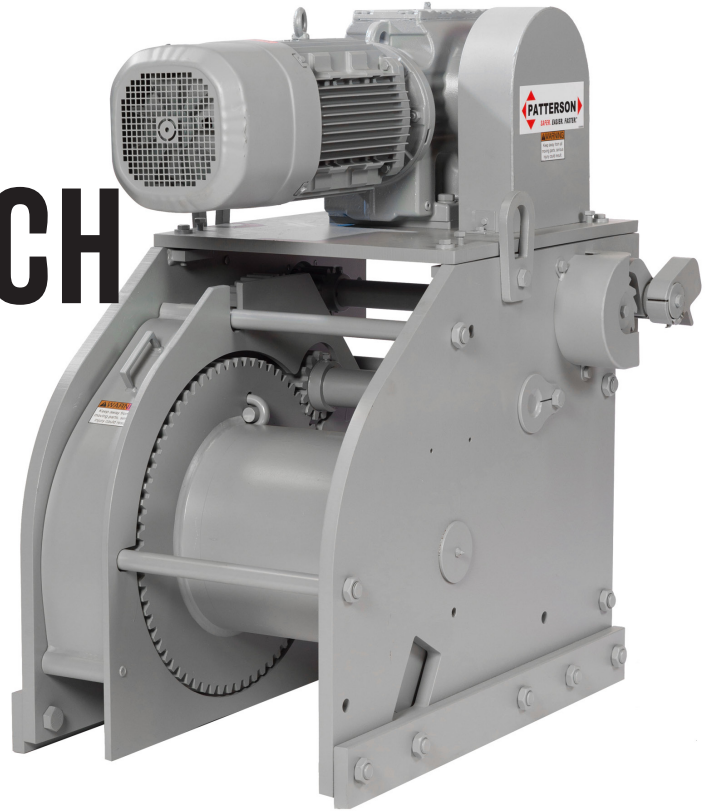




# HIGH SPEED ELECTRIC WINCH

## ROCK-SOLID DURABILITY



Like our Standard Electric Winch, the Patterson High Speed Electric Winch is available in capacities from 20 to 90 tons. Also like the Standard, it is designed for easy, safe operation and rock-solid durability. The heavy duty roller bearings on the shaft drive, thermostatically protected motors, machined alloy gearing, and NEMA 4 spring-loaded electric brakes make our towboat winches a study in strength. We offer 208 V or 230/460 V 3-phase, 60Hz high-torque motors, with other voltages, and special marine motors available.

Safety is one of Patterson’s most important hallmarks. Our towboat winches feature manual locking dogs for emergency backup use. Careful design ensures easier operation—which can reduce accidents. Our winches also feature bolted keeper plates for fast, easy shaft removal.

### Key Features

Galvanized for Optimal Protection

Manual Locking Dogs

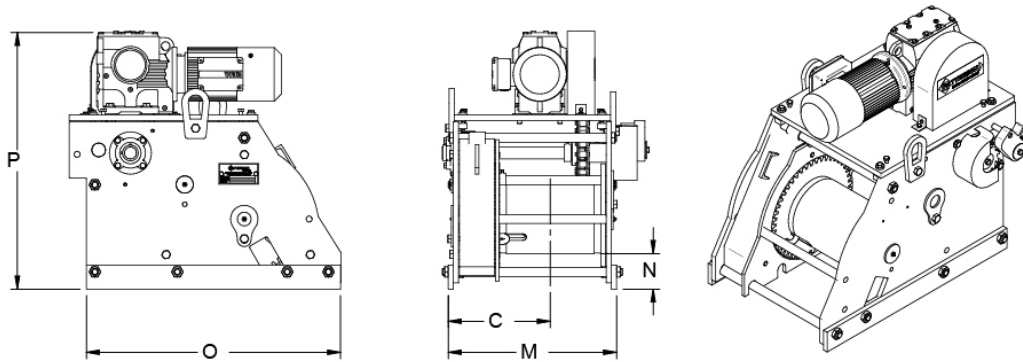
### Performance Data

Model*(WWP)	Dog Holding Capacity	Brake Holding Capacity	Line Pull 1st Wrap	Line Speed 1st Wrap	Stall Pull 1st Wrap	Ultimate Shock Load
<b>20E-HS-3.0</b>	40,000 lbs	11,429 lbs	2,337 lbs	38.8 fpm	9,348 lbs	40,000 lbs
<b>30E-HS-5.0</b>	60,000 lbs	11,767 lbs	3,968 lbs	37.7 fpm	10,119 lbs	60,000 lbs
<b>40E-HS-5.0</b>	80,000 lbs	13,315 lbs	4,544 lbs	33.4 fpm	11,587 lbs	80,000 lbs
<b>40E-HS-7.5</b>	80,000 lbs	20,889 lbs	5,340 lbs	42.9 fpm	13,349 lbs	80,000 lbs
<b>65E-HS-7.5</b>	130,000 lbs	28,883 lbs	7,303 lbs	31.1 fpm	18,258 lbs	130,000 lbs

[More Details >](#)



# HIGH SPEED ELECTRIC WINCH



## Specifications

Model*(WWP)	Drum Diameter	C	M	N	O	P	Net Weight	Shipping Weight
<b>20E-HS-3.0</b>	8.625"	5.81"	14.75"	6.5"	35"	32.5"	830 lbs	880 lbs
<b>30E-HS-5.0</b>	10"	8.81"	19"	6"	35"	32"	1,015 lbs	1,065 lbs
<b>40E-HS-5.0</b>	10"	9.18"	24.5"	5"	37"	40"	1,415 lbs	1,465 lbs
<b>40E-HS-7.5</b>	10"	9.18"	24.5"	5"	37"	40"	1,430 lbs	1,480 lbs
<b>65E-HS-7.5</b>	14"	10.75"	25.75"	6.5"	38"	48"	2,140 lbs	2,190 lbs

## Drum Capacities

Model*(WWP)	1/2"	5/8"	3/4"	7/8"	1"	1 1/8"	1 1/4"
<b>20E-HS-3.0</b>	220'	140'	100'	xx	xx	xx	xx
<b>30E-HS-5.0</b>	xx	120'	85'	75'	xx	xx	xx
<b>40E-HS-5.0</b>	xx	xx	180'	130'	100'	xx	xx
<b>40E-HS-7.5</b>	xx	xx	180'	130'	100'	xx	xx
<b>65E-HS-7.5</b>	xx	xx	xx	230'	180'	150'	xx

*\*All performance data and specifications set forth in the above tables are guidelines. The referenced data and specifications were produced under controlled testing conditions and should be used as estimates only. Due to variability in individual operators, in weather, in towing conditions, and in various other factors, actual results may vary. In addition, for the purpose of installation, please verify all dimensions as the dimensions, specifications, data and other information contained in this brochure are subject to change at any time without notice.*