



**QUALITY+DURABILITY  
YOU CAN DEPEND ON**



# STANDARD ELECTRIC WINCH



### Key Features

- Corrosion Package Available
- Dependable Safety

### Performance Data

Model*(WVP)	Dog Holding Capacity	Brake Holding Capacity	Line Pull 1st Wrap	Line Speed 1st Wrap	Stall Pull 1st Wrap	Ultimate Shock Load
20E-3.0	40,000 lbs	30,000 lbs	3,700 lbs	22 fpm	16,000 lbs	40,000 lbs
30E-3.0	60,000 lbs	47,000 lbs	5,700 lbs	14 fpm	25,000 lbs	60,000 lbs
30E-5.0	60,000 lbs	39,000 lbs	7,300 lbs	18 fpm	33,000 lbs	60,000 lbs
40E-5.0	80,000 lbs	46,000 lbs	8,600 lbs	16 fpm	39,000 lbs	80,000 lbs
40E-7.5	80,000 lbs	63,000 lbs	9,700 lbs	21 fpm	40,000 lbs	80,000 lbs
65E-7.5	130,000 lbs	82,000 lbs	12,800 lbs	16 fpm	52,000 lbs	130,000 lbs
65E-12.5	130,000 lbs	92,000 lbs	13,200 lbs	26 fpm	65,000 lbs	130,000 lbs
75E-12.5	150,000 lbs	73,000 lbs	11,000 lbs	29 fpm	58,000 lbs	130,000 lbs

\*All performance data and specifications set forth in the above tables are guidelines. The referenced data and specifications were produced under controlled testing conditions and should be used as estimates only. Due to variability in individual operators, in weather, in towing conditions, and in various other factors, actual results may vary. In addition, for the purpose of installation, please verify all dimensions as the dimensions, specifications, data and other information contained in this brochure are subject to change at any time without notice.

### Drum Capacities

Model*(WVP)	1/2"	5/8"	3/4"	7/8"	1"	1 1/8"	1 1/4"
20E-3.0	220'	140'	100'	xx	xx	xx	xx
30E-3.0	xx	120'	85'	75'	xx	xx	xx
30E-5.0	xx	120'	85'	75'	xx	xx	xx
40E-5.0	xx	xx	180'	130'	100'	xx	xx
40E-7.5	xx	xx	180'	130'	100'	xx	xx
65E-7.5	xx	xx	xx	230'	180'	150'	xx
65E-12.5	xx	xx	xx	230'	180'	150'	xx
75E-12.5	xx	xx	xx	xx	190'	150'	130'

Upgrade your rigging and say goodbye to ratchet problems with a Patterson powered winch—available in capacities from 20 to 90 ton. Exceptionally strong, easy to use, and built to last, each carries the Patterson promise of *Safer, Easier, and Faster.*

Other models available include:



**LOW PROFILE  
SHORT BUT MIGHTY**



**UPRIGHT  
COMPACT STRENGTH**

# RIGHT ANGLE CAPSTAN

### Key Features

- Reinforced Washout Ready Housing
- External Spherical Roller Bearing
- Triple-Lip Contact Seals
- IP66 Rated Motor



Model* (RAC)	5.4 10-35	5.4 12-42	7.5 10-35	7.5 12-42	10 10-35	10 12-42
<b>MOTOR</b>	5.4 hp	5.4 hp	7.5 hp	7.5 hp	10 hp	10 hp
<b>HEAD DIAMETER</b>	10"	12"	10"	12"	10"	12"
<b>STARTING PULL</b>	14,500 lbs	12,226 lbs	17,282 lbs	14,623 lbs	19,611 lbs	16,594 lbs
<b>RUNNING PULL</b>	4,982 lbs	4,216 lbs	6,913 lbs	5,849 lbs	9,339 lbs	7,902 lbs
<b>RUNNING SPEED</b>	35 fpm	42 fpm	35 fpm	42 fpm	35 fpm	42 fpm

\*Definition: Right Angle Capstan 5.4 Horsepower – 10" Diameter Head – 35 Feet Per Minute

# THRU-DECK CAPSTAN

### Key Features

- Triple-Sealed Slewing Bearing Design
- Full Length Barrel Whelps
- Compact Height
- Tapered Base
- 21st Century Pegs



Model* (TDC)	1014W-25	1014W-34	1514W-25	1514W-34	2014W-25	2014W-34	2514W-25
<b>MOTOR</b>	10 hp	10 hp	15 hp	15 hp	20 hp	20 hp	25 hp
<b>STARTING PULL</b>	24,500 lbs	18,000 lbs	50,000 lbs	38,000 lbs	61,000 lbs	45,000 lbs	62,000 lbs
<b>RUNNING PULL</b>	11,500 lbs	8,000 lbs	17,500 lbs	13,000 lbs	23,000 lbs	17,000 lbs	21,000 lbs
<b>RUNNING SPEED</b>	25 fpm	34 fpm	25 fpm	34 fpm	25 fpm	34 fpm	34 fpm
<b>BOLLARD PULL</b>	100,000 lbs	100,000 lbs	100,000 lbs	100,000 lbs	100,000 lbs	100,000 lbs	100,000 lbs
<b>HEAD DIA STYLE</b>	14" Whelped	14" Whelped	14" Whelped	14" Whelped	14" Whelped	14" Whelped	14" Whelped

\*Definition: Thru-Deck Capstan 10 Horsepower – 14" Diameter Whelped Head – 25 Feet Per Minute

# FAIRLEADS+CHOCKS

### Key Features

- Horizontal Alignment Mounting System
- Spring Loaded Vertical Assist



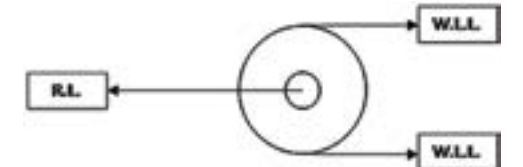
### Self-Aligning Roller Chocks

Model	SARC-20	SARC-40	SARC-65
<b>*RATED LOAD</b>	20 Tons	40 Tons	65 Tons
<b>**WORKING LINE LOAD</b>	20,000 lbs	40,000 lbs	65,000 lbs
<b>ROPE DIAMETER</b>	0.75"	1"	1.125"



### Roller Button

Model	RB-50SS
<b>*RATED LOAD</b>	50 Tons
<b>**WORKING LINE LOAD</b>	50,000 lbs



\*Rated Load (RL) – The total amount of continuous pull (load) allowed on the unit at any time. The maximum RL occurs when the maximum Working Line Load (WLL) is achieved and the rope is wrapped 180° around the sheave. This is equal to two times the WLL.

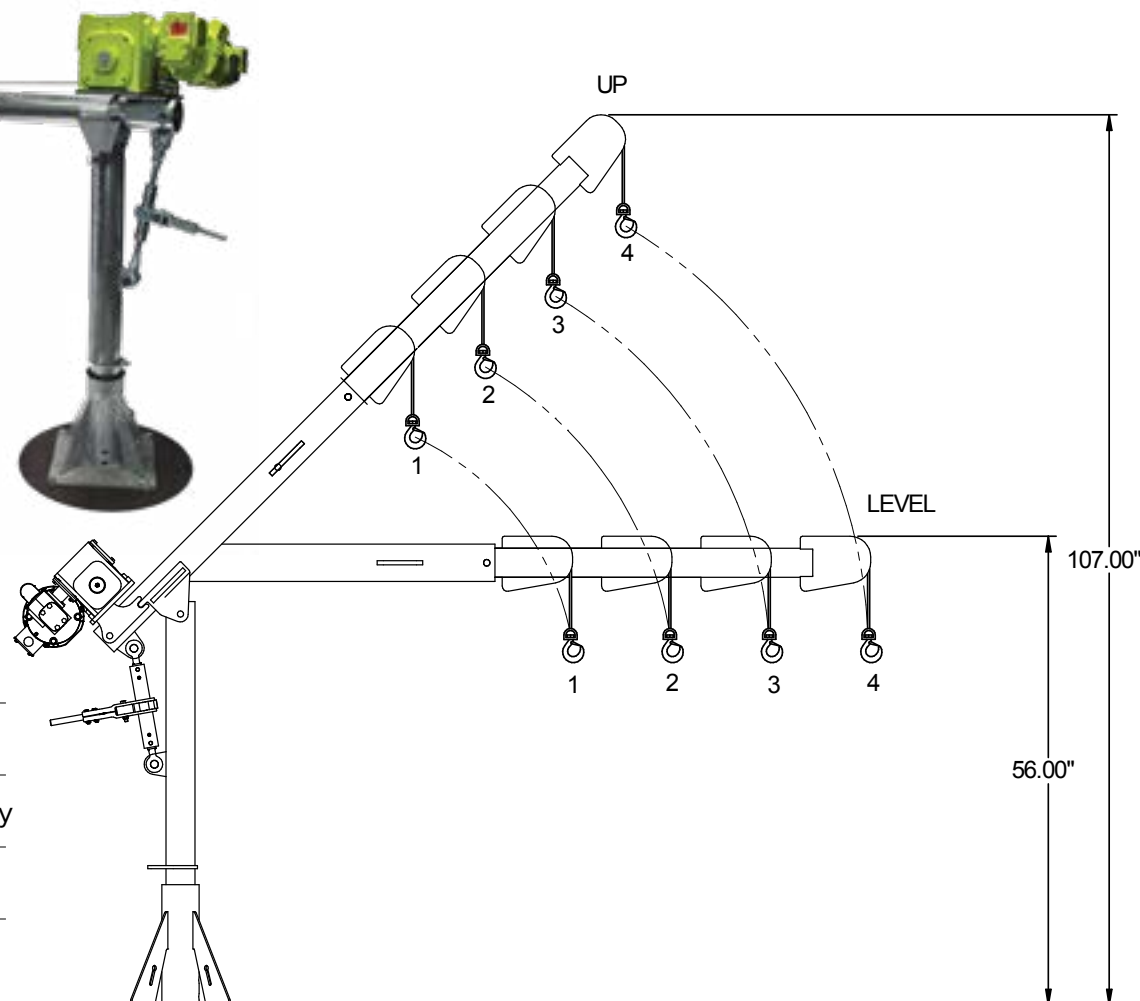
\*\*Working Line Load – The amount of continuous allowable line tension on the unit.

# DAVIT CRANES

Available in 1/2-Ton and 1-Ton Capacities.

### Key Features

- Reliable Brake with Long Life and Readily Available Parts
- Low Maintenance
- Hot-Dipped Galvanized/Saltwater Ready
- No Plastic Sheaves or Pulleys
- Made in the USA



### Davit Cranes Ratings and Specifications

#### 1/2-TON MODEL using 1/4-inch wire rope

Boom Position	Load Rating 1st Wrap	Load Rating 2nd Wrap	Load Rating 3rd Wrap	Hook Reach	Hook Height
LEVEL 1	1,000 lbs	800 lbs	700 lbs	29"	40"
LEVEL 2	700 lbs	700 lbs	700 lbs	39"	40"
LEVEL 3	600 lbs	600 lbs	600 lbs	49"	40"
LEVEL 4	500 lbs	500 lbs	500 lbs	59"	40"
UP 1	1,000 lbs	800 lbs	700 lbs	16"	63"
UP 2	800 lbs	800 lbs	700 lbs	23"	70"
UP 3	600 lbs	600 lbs	600 lbs	30"	77"
UP 4	500 lbs	500 lbs	500 lbs	37"	84"

#### 1-TON MODEL using 5/16-inch wire rope

Boom Position	Load Rating 1st Wrap	Load Rating 2nd Wrap	Load Rating 3rd Wrap	Hook Reach	Hook Height
LEVEL 1	2,000 lbs	1,600 lbs	1,400 lbs	39"	42"
LEVEL 2	1,500 lbs	1,500 lbs	1,400 lbs	51"	42"
LEVEL 3	1,200 lbs	1,200 lbs	1,200 lbs	63"	42"
LEVEL 4	1,000 lbs	1,000 lbs	1,000 lbs	75"	42"
UP 1	2,000 lbs	1,600 lbs	1,400 lbs	20"	64"
UP 2	1,600 lbs	1,600 lbs	1,400 lbs	29"	71"
UP 3	1,300 lbs	1,300 lbs	1,300 lbs	37"	78"
UP 4	1,100 lbs	1,100 lbs	1,100 lbs	46"	85"