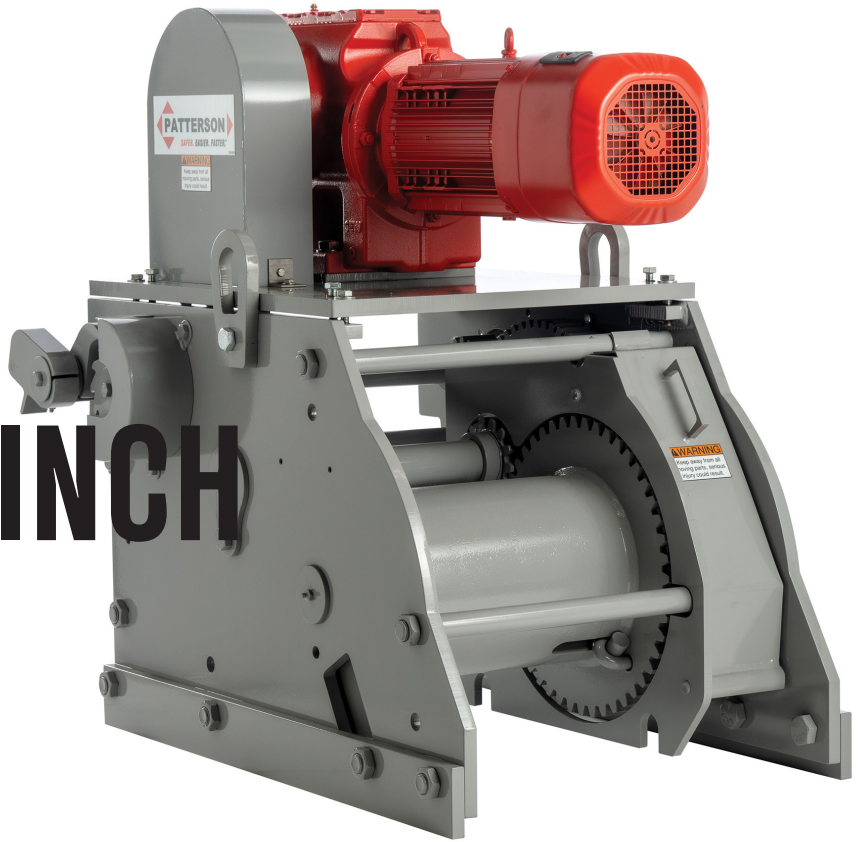




STANDARD ELECTRIC WINCH HEAVY DUTY



The Patterson Electric Winch, available in capacities from 20 to 90 tons, is designed for easy, safe operation and rock-solid durability. The heavy duty roller bearings on the shaft drive, thermostatically protected motors, machined alloy gearing, and NEMA 4 spring-loaded electric brakes make our towboat winches a study in strength. We offer 208 V or 230/460 V 3-phase, 60Hz high-torque motors, with other voltages, and special marine motors available.

Patterson offers galvanized winches for optimal corrosion protection, and our saltwater-corrosion protection package leaves nothing to chance: hot-dipped galvanized construction includes stainless steel shafts, nuts and bolts, as well as anti-seize on all threads or fasteners.

Key Features

Corrosion Protection

Dependable Safety

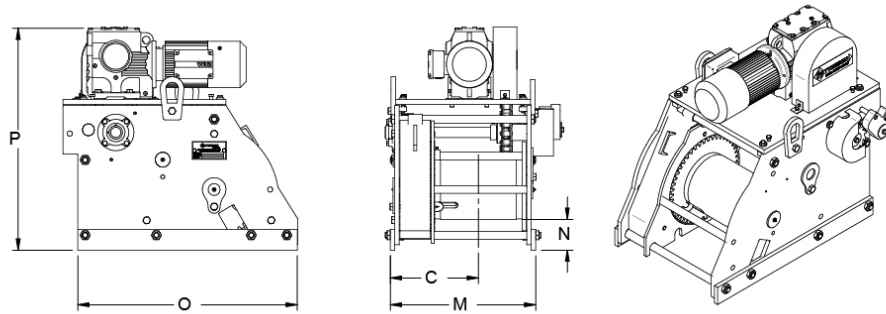
Performance Data

Model*(WPP)	Dog Holding Capacity	Brake Holding Capacity	Line Pull 1st Wrap	Line Speed 1st Wrap	Stall Pull 1st Wrap	Ultimate Shock Load
20E-3.0	40,000 lbs	30,000 lbs	3,700 lbs	22 fpm	16,000 lbs	40,000 lbs
30E-3.0	60,000 lbs	47,000 lbs	5,700 lbs	14 fpm	25,000 lbs	60,000 lbs
30E-5.0	60,000 lbs	39,000 lbs	7,300 lbs	18 fpm	33,000 lbs	60,000 lbs
40E-5.0	80,000 lbs	46,000 lbs	8,600 lbs	16 fpm	39,000 lbs	80,000 lbs
40E-7.5	80,000 lbs	63,000 lbs	9,700 lbs	21 fpm	40,000 lbs	80,000 lbs
65E-7.5	130,000 lbs	82,000 lbs	12,800 lbs	16 fpm	52,000 lbs	130,000 lbs
65E-12.5	130,000 lbs	92,000 lbs	13,200 lbs	26 fpm	65,000 lbs	130,000 lbs
75E-12.5	150,000 lbs	73,000 lbs	11,000 lbs	29 fpm	58,000 lbs	130,000 lbs

[More Details >](#)



STANDARD ELECTRIC WINCH



Specifications

Model* (WWP)	Drum Diameter	C	M	N	O	P	Net Weight	Shipping Weight
20E-3.0	8.625"	5.81"	14.75"	6.5"	35"	32.5"	830 lbs	880 lbs
30E-3.0	10"	8.81"	19"	6"	35"	32"	1,015 lbs	1,065 lbs
30E-5.0	10"	8.81"	19"	6"	35"	32"	1,020 lbs	1,070 lbs
40E-5.0	10"	9.18"	24.5"	5"	37"	40"	1,415 lbs	1,465 lbs
40E-7.5	10"	9.18"	24.5"	5"	37"	40"	1,430 lbs	1,480 lbs
65E-7.5	14"	10.75"	25.75"	6.5"	38"	48"	2,140 lbs	2,190 lbs
65E-12.5	14"	10.75"	25.75"	6.5"	38"	48"	2,150 lbs	2,200 lbs
75E-12.5	16"	8.25"	22.25"	8.75"	45"	50.25"	3,550 lbs	3,600 lbs

Drum Capacities

Model* (WWP)	1/2"	5/8"	3/4"	7/8"	1"	1 1/8"	1 1/4"
20E-3.0	220'	140'	100'	xx	xx	xx	xx
30E-3.0	xx	120'	85'	75'	xx	xx	xx
30E-5.0	xx	120'	85'	75'	xx	xx	xx
40E-5.0	xx	xx	180'	130'	100'	xx	xx
40E-7.5	xx	xx	180'	130'	100'	xx	xx
65E-7.5	xx	xx	xx	230'	180'	150'	xx
65E-12.5	xx	xx	xx	230'	180'	150'	xx
75E-12.5	xx	xx	xx	xx	190'	150'	130'

*All performance data and specifications set forth in the above tables are guidelines. The referenced data and specifications were produced under controlled testing conditions and should be used as estimates only. Due to variability in individual operators, in weather, in towing conditions, and in various other factors, actual results may vary. In addition, for the purpose of installation, please verify all dimensions as the dimensions, specifications, data and other information contained in this brochure are subject to change at any time without notice.