



PROUDLY SERVING THE MARINE INDUSTRY FOR

160+ YEARS



WINCHES FOR BARGES

By partnering with our customers and listening to the best minds in the industry, Patterson has been able to design, refine, and customize products that satisfy real needs. In the 1950s, we manufactured just a few barge and towboat winches. Today, we offer manual and powered models that range from 20 through 90 tons in capacity. Each model carries the Patterson promise of *Safer, Easier, and Faster.*



YOYO

Key Features

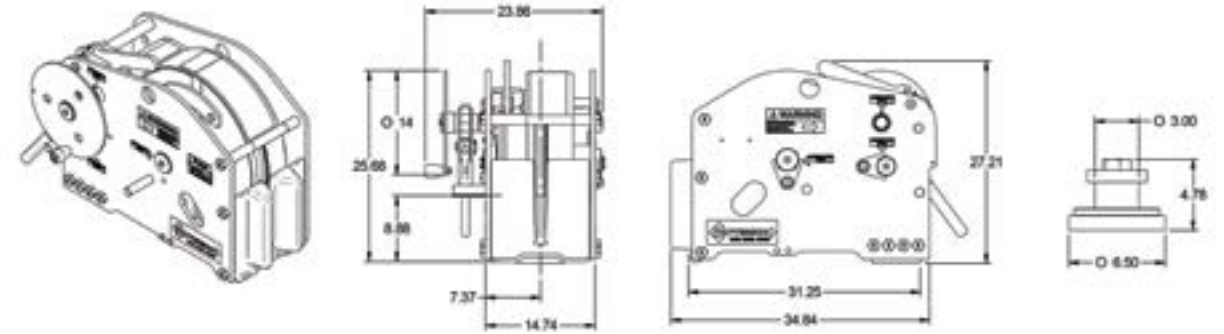
- Single-Stacking Design
- Lifetime Value
- Tough and Reliable

Performance Data

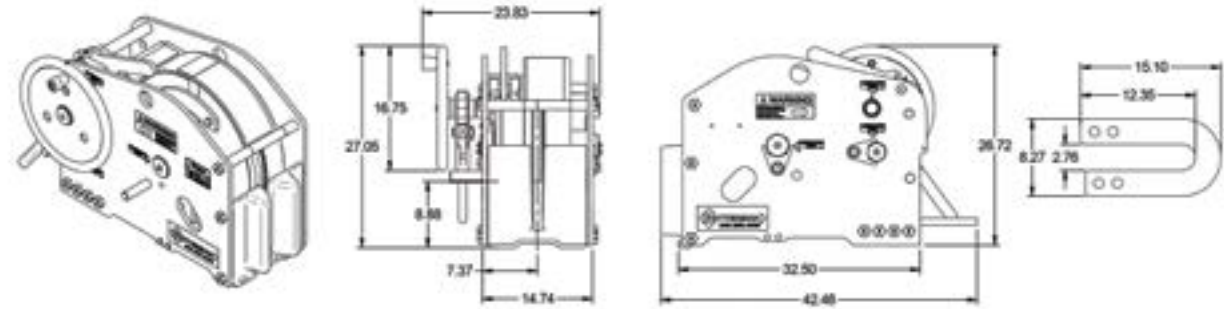
Model	Ultimate Capacity	Drum Capacity, 1" Wire Rope	Net Weight
YOYO-25-1	80,000 lbs	25"	1,500 lbs
YOYO-40-1	80,000 lbs	40"	2,110 lbs

Mounting Configurations

YOYO-25-1 SWIVEL



YOYO-25-1 D-RING



BC-40

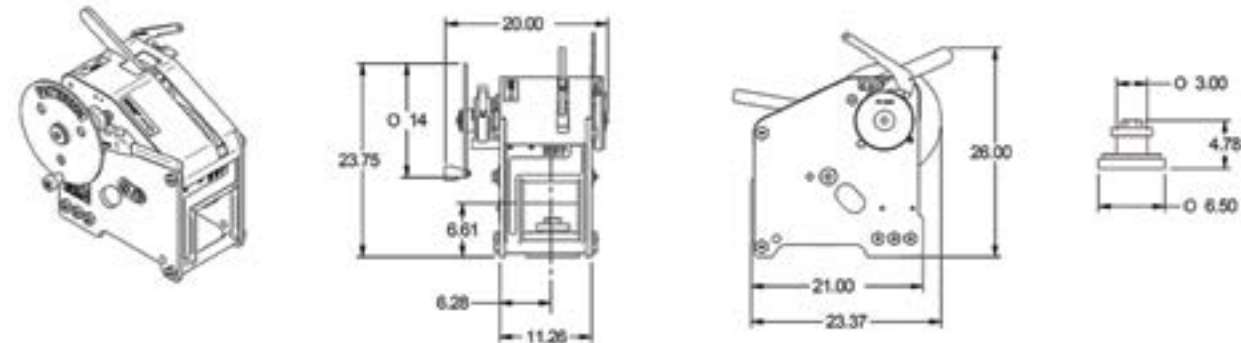
Key Features

- Fast Take-Up
- Hot-Dipped Galvanized/Saltwater Ready
- Easy to Use and Economical

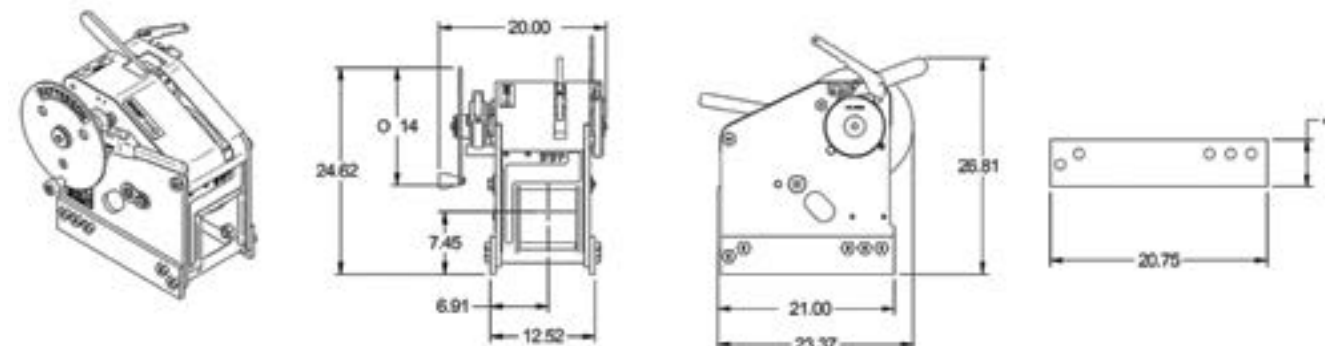
Performance Data

Model	WWP40BC
DRUM CAPACITY, 3/4"	95'
DRUM CAPACITY, 7/8"	85'
DRUM CAPACITY, 1"	70'
OVERALL WIDTH	19.375"
OVERALL HEIGHT	23.75"
OVERALL LENGTH	23.3125"
NET WEIGHT	442 lbs
ULTIMATE CAPACITY	80,000 lbs
TYPICAL LINE TENSION	10,000 lbs

BC-40 SWIVEL



BC-40 WELD DOWN



TANK BARGE

Key Features

- Hot-Dipped Galvanized/Saltwater Ready
- Easy to Use and Economical

Performance Data

Model*(WWP)	Ultimate Capacity	Brake Holding Capacity	Maximum Line Tension
20M-6	40,000 lbs	40,000 lbs	5,200 lbs
30M-10	60,000 lbs	60,000 lbs	6,600 lbs
40M-12	80,000 lbs	80,000 lbs	8,000 lbs
65M-14	130,000 lbs	130,000 lbs	11,200 lbs
75M-10	150,000 lbs	150,000 lbs	12,000 lbs

Drum Capacities

Model*(WWP)	1/2"	5/8"	3/4"	7/8"	1"	1 1/8"	1 1/4"
20M-6	220'	140'	100'	xx	xx	xx	xx
30M-10	xx	120'	85'	65'	xx	xx	xx
40M-12	xx	xx	180'	130'	100'	xx	xx
65M-14	xx	xx	xx	230'	180'	150'	xx
75M-10	xx	xx	xx	xx	190'	150'	xx

*All performance data and specifications set forth in the above tables are guidelines. The referenced data and specifications were produced under controlled testing conditions and should be used as estimates only. Due to variability in individual operators, in weather, in towing conditions, and in various other factors, actual results may vary. In addition, for the purpose of installation, please verify all dimensions as the dimensions, specifications, data and other information contained in this brochure are subject to change at any time without notice.

STRAP

Key Features

- Surprisingly Strong
- Easy to Use

Performance Data

Model	WWP40WEB
ULTIMATE CAPACITY	80,000 lbs
TYPICAL LINE TENSION	14,000 lbs
DRUM CAPACITY, 6" WEB	14'
OVERALL WIDTH	20.75"
OVERALL HEIGHT	23.75"
OVERALL LENGTH	23.375"
NET WEIGHT	442 lbs



The lightweight strap of the Patterson Strap Winch can be easily thrown to a vessel for quick and safe tie-down.

A PERFECT FIT FOR
DRY DOCK OPERATIONS