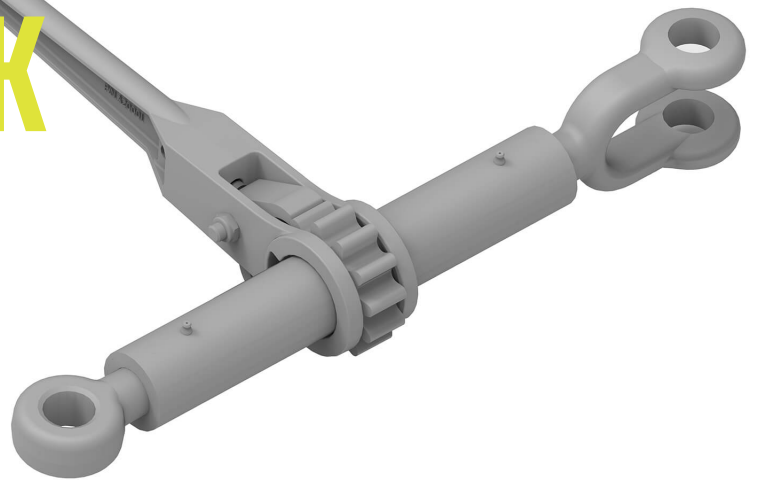




# TURNBUCKLE COMPONENTS MAKE IT WORK YOUR WAY

Patterson offers handles, end fittings, and barrels to make your ratchet turnbuckles perform exactly to your expectations. Our industrial-use barrel is made from cold-drawn tubing - it's much stronger than a comparable pipe barrel. If you specify, we can galvanize your barrels and supply them with grease fittings for reduced maintenance even in harsh saltwater applications.

Our double-acting handles feature a spring-loaded pawl to keep the pawl constantly engaged in the ratchet wheel, no matter what position the ratchet turnbuckle is in. This makes the handle easier, safer, and faster to use. We can also supply standard hand wheels, vise-type handles, and hex drives according to your needs.



## Available Components

Threaded Eyebolts

---

Ratchet Handle

---

Threaded Jaws

---

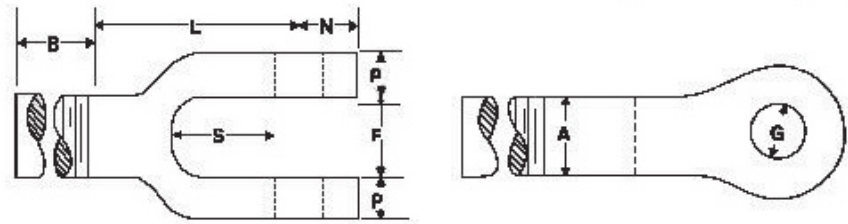
Hex Drives

---

Ratchet Barrel

---

[More Details >](#)



## Threaded Jaws Specifications

Shank Diameter	Shank Length	Throat Opening	Throat Depth	Hole Diameter	Jaw End to Center of Hole	Cheek Thickness	1st Thread to Center of Hole	*Safe Working Load (Tension)
0.75"	10"	0.94"	1.5"	0.69"	1"	0.5"	3.125"	4,600 lbs
1"	12"	1.19"	2.06"	0.94"	1.25"	0.75"	4"	9,000 lbs
1.25"	14"	1.75"	2.44"	1.19"	1.5"	0.88"	5"	14,600 lbs
1.38"	16"	1.13"	3"	1.13"	1.25"	0.75"	6"	17,000 lbs
1.5"	15"	2.31"	2.81"	1.44"	1.81"	1.09"	5.5"	21,400 lbs
1.75"	15"	2.38"	2.88"	1.72"	2"	1.14"	6.125"	27,000 lbs
2"	16"	2.5"	3.68"	2.09"	2.6"	1.55"	7"	37,000 lbs
2.5"	18"	2.88"	4.44"	2.38"	3.5"	1.5"	9.5"	60,000 lbs
2.75"	18"	3.5"	4.19"	2.88"	4"	1.75"	9.4"	77,000 lbs
3"	8"	3.5"	5.5"	3.06"	3.38"	1.75"	10"	100,000 lbs
4"	8"	5.5"	5.5"	4.06"	4.38"	2"	11.5"	200,000 lbs

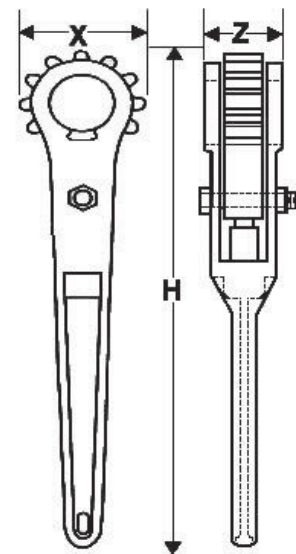
\* Safe Working Load, in tension, provides a safety factor of approximately five-to-one.

## Ratchet Barrel Specifications

*Safe Working Load (Tension)	Ratchet Screw Diameter	Barrel Diameter	Standard Barrel Lengths	Range of Adjustment
4,600 lbs	0.75"	1.75"	6" to 24"	4" to 18"
9,000 lbs	1"	1.75"	6" to 24"	4" to 20"
14,600 lbs	1.25"	2.38"	12" to 36"	9" to 26"
17,000 lbs	1.38"	2.38"	12" to 36"	9" to 33"
21,400 lbs	1.5"	2.88"	12" to 48"	8" to 28"
25,000 lbs	1.75"	2.88"	12" to 48"	8" to 28"
30,000 lbs	2"	3.5"	12" to 36"	7" to 28"
60,000 lbs	2.5"	3.75"	12" to 36"	7" to 30"
77,000 lbs	2.75"	4.5"	8" to 36"	3" to 30"
100,000 lbs	3"	4.5"	8" to 36"	2" to 12"
200,000 lbs	4"	6"	10" to 36"	2" to 12"

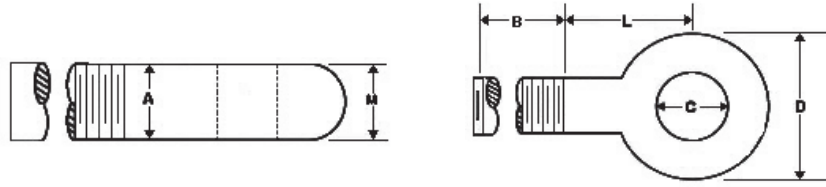
## Ratchet Handle Specifications

Model	Corresponding Barrel Diameter	X	H	Z
SR 1.0	1.75"	3.25"	13.25"	1.88"
SR 1.375	2.38"	4.38"	22"	3"
SR 1.75	2.88"	5"	22.25"	3"
SR 2.0	3.5"	5.63"	27.5"	2.75"
SR 2.5	3.75"	5.75"	27.56"	2.75"
SR 3.0	4.5"	6.75"	29.25"	2.75"
SR 4.0	6"	9.13"	33"	2.75"



\* Safe Working Load, in tension, provides a safety factor of approximately five-to-one.

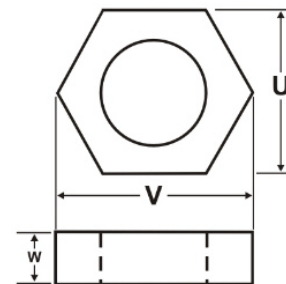
## Threaded Eyes Specifications



Shank Diameter	Shank Length	Outside Eye Diameter	Eye Max Hole Diameter	1st Thread to Center of Hole	Eye Thickness	*Safe Working Load (Tension)
0.75"	12"	1.88"	0.75"	2"	0.75"	4,600 lbs
1"	12"	2.38"	1"	2.25"	1"	9,000 lbs
1.25"	18"	3"	1.25"	2.5"	1.25"	14,600 lbs
1.38"	24"	3.5"	1.56"	2.75"	1.25"	17,000 lbs
1.5"	24"	3.63"	1.5"	2.88"	1.5"	21,400 lbs
1.75"	24"	3.25"	1.69"	2.75"	1.5"	27,000 lbs
2"	24"	5"	2"	4.25"	2"	37,000 lbs
2.5"	24"	6"	2.5"	4.5"	2.5"	60,000 lbs
2.75"	24"	6.5"	2.75"	5"	2.75"	77,000 lbs
3"	6"	6.5"	3"	5"	3"	100,000 lbs
4"	7"	10.75"	3.5"	6.88"	4"	200,000 lbs

## Hex Drives Specifications

Corresponding Barrel Diameter	U	V	W
1.75"	2.38"	2.74"	1"
2.38"	3.13"	3.61"	1.5"
2.88"	3.88"	4.47"	1.75"
3.5"	4.38"	5"	2"
3.75"	4.63"	5.34"	2"
4.5"	5.5"	6.38"	3"
6"	6.88"	8"	3"



\* Safe Working Load, in tension, provides a safety factor of approximately five-to-one.